

INDOOR | WALL MOUNT

# PRO | MINI-SPLIT

SPLIT-TYPE ROOM AIR CONDITIONER



#700807 • #700808

## INSTALLATION MANUAL

This manual only describes the installation of the indoor unit.  
When installing the outdoor unit, refer to the installation manual of outdoor unit.

# CONGRATULATIONS...

on your purchase of Ideal Air's Pro | Mini-Split, indoor, wall mount unit. We're proud to offer this product and believe it's the very best in its class.

## READ THIS MANUAL

Please read through these instructions before you start the installation process. Improper installation can cause damage to the unit, your personal property, and also poses a personal safety hazard.

## CONTENTS

<b>SAFETY PRECAUTIONS</b> .....	3
<b>ACCESSORIES</b> .....	5
<b>INSTALLATION SUMMARY - INDOOR UNIT</b> .....	6
<b>UNIT PARTS</b> .....	8
<b>INDOOR UNIT INSTALLATION</b> .....	9
<b>OUTDOOR UNIT INSTALLATION</b> .....	17
<b>REFRIGERANT PIPING CONNECTION</b> .....	21
<b>AIR EVACUATION</b> .....	23
<b>ELECTRICAL AND GAS LEAK CHECKS</b> .....	25
<b>TEST RUN</b> .....	25
<b>DISPOSAL GUIDELINES</b> .....	26
<b>GLOSSARY OF TERMS</b> .....	27

# SAFETY PRECAUTIONS

## READ SAFETY PRECAUTIONS BEFORE INSTALLATION:

Incorrect installation due to ignoring instructions can cause serious damage or injury. The seriousness of potential damage or injuries is classified as either a **WARNING** or **CAUTION**.



This symbol indicates that ignoring instructions may cause damage to your unit, or other property, serious injury or death.



This symbol indicates that ignoring instructions may cause moderate injury to you, or damage to your unit or other property.

## **WARNING**

- **DO NOT** modify the length of the power supply cord or use an extension cord to power the unit.
- **DO NOT** share the electrical outlet with other appliances. Improper or insufficient power supply can cause fire or electrical shock.
- When connecting refrigerant piping, **DO NOT** let substances or gases other than the specified refrigerant enter the unit. The presence of other gases or substances will lower the unit's capacity, and can cause abnormally high pressure in the refrigeration cycle. This can cause explosion and injury.
- **DO NOT** allow children to play with the air conditioner. Children must be supervised around the unit at all times.
- Installation must be performed by a certified service technician. Defective installation can cause water leakage, electrical shock, or fire.
- Installation must be performed according to the installation instructions. Improper installation can cause water leakage, electrical shock, or fire. (In North America, installation must be performed in accordance with the requirement of NEC and CEC by authorized personnel only.)
- Contact an authorized service technician for repair or maintenance of this unit.
- Only use the included accessories, parts, and specified parts for installation. Using non-standard parts can cause water leakage, electrical shock, fire, and can cause the unit to fail.
- Install the unit in a firm location that can support the unit's weight. If the chosen location cannot support the unit's weight, or the installation is not done properly, the unit may drop and cause serious injury and damage.
- For all electrical work, follow all local and national wiring standards, regulations, and the Installation Manual. You must use an independent circuit and single outlet to supply power. **DO NOT** connect other appliances to the same outlet. Insufficient electrical capacity or defects in electrical work can cause electrical shock or fire.
- For all electrical work, use the specified cables. Connect cables tightly, and clamp them securely to prevent external forces from damaging the terminal. Improper electrical connections can overheat and cause fire, and may also cause shock.
- All wiring must be properly arranged to ensure that the control board cover can close properly. If the control board cover is not closed properly, it can lead to corrosion and cause the connection points on the terminal to heat up, catch fire, or cause electrical shock.
- In certain functional environments, such as kitchens, server rooms, etc., the use of specially designed air-conditioning units is highly recommended.
- If the supply cord is damaged, it must be replaced by a certified service technician or similarly qualified persons in order to avoid a hazard.

## **⚠ CAUTION**

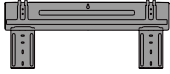


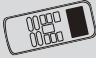

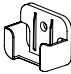





- **DO NOT** install the unit in a location that may be exposed to combustible gas leaks. If combustible gas accumulates around the unit, it may cause fire.
- The product must be properly grounded at the time of installation, or electrical shock may occur.
- Install drainage piping according to the instructions in this manual. Improper drainage may cause water damage to your home and property.

### **NOTE: ABOUT FLUORINATED GASES**

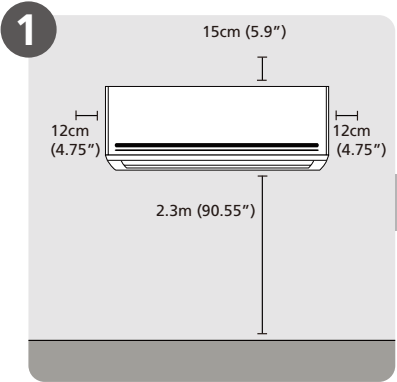
- This air-conditioning unit contains fluorinated gases. For specific information on the type of gas and the amount, please refer to the relevant label on the unit itself.
- Installation, service, maintenance and repair of this unit must be performed by a certified technician.
- Product uninstallation and recycling must be performed by a certified technician.
- If the system has a leak-detection system installed, it must be checked for leaks at least every 12 months.
- When the unit is checked for leaks, proper record-keeping of all checks is strongly recommended.

# ACCESSORIES

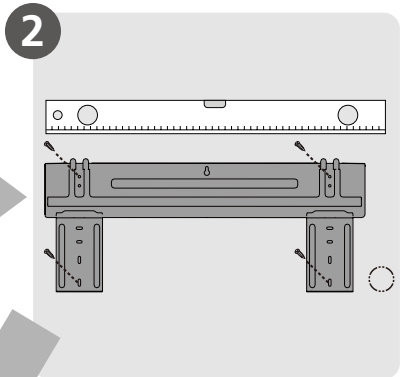
The air conditioning system comes with the following accessories. Use all of the installation parts and accessories to install the air conditioner. Improper installation may result in water leakage, electrical shock and fire, or equipment failure.

Name	Shape	Quantity	
Mounting plate		1	
Clip anchor		5	
Mounting plate fixing screw ST3.9 X 25		5	
Remote control		1	
Fixing screw for remote control holder ST2.9 x 10		2	Optional Parts
Remote control holder		1	
Dry battery AAA.LR03		2	
Seal		1	
Drain joint			
User manual		1	
Installation manual		1	
Connecting pipe assembly	Liquid side	Φ 6.35 (1/4")	Line sets sold separately
		Φ 9.52 (3/8")	
	Gas side	Φ 9.52 (3/8")	
		Φ 12.7 (1/2")	
		Φ 16 (5/8")	
Φ 19 (3/4")			

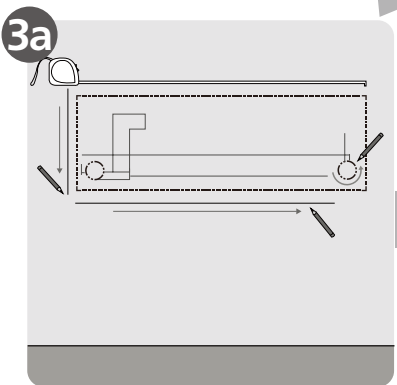
# INSTALLATION SUMMARY: INDOOR UNIT



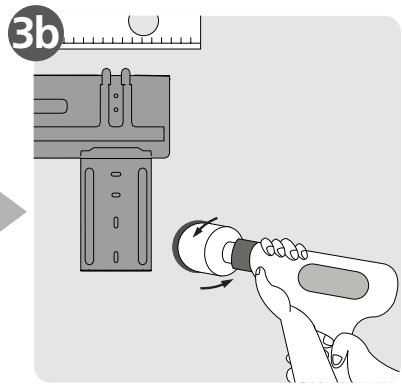
**Select Installation Location**  
(Page 9)



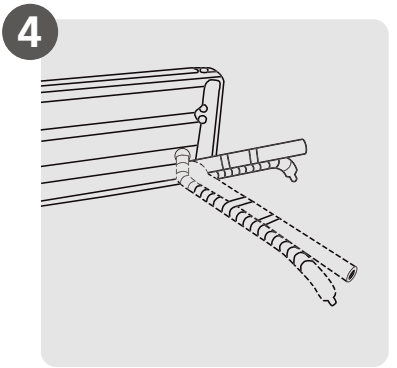
**Attach Mounting Plate**  
(Page 10)



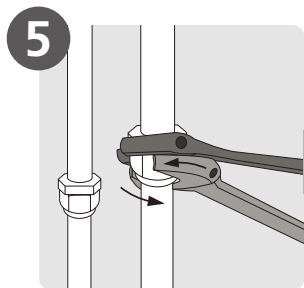
**Determine Wall Hole Position...**  
(Page 10)



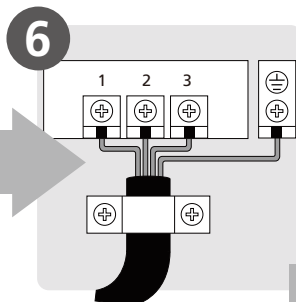
**And Drill Wall Hole**  
(Page 10)



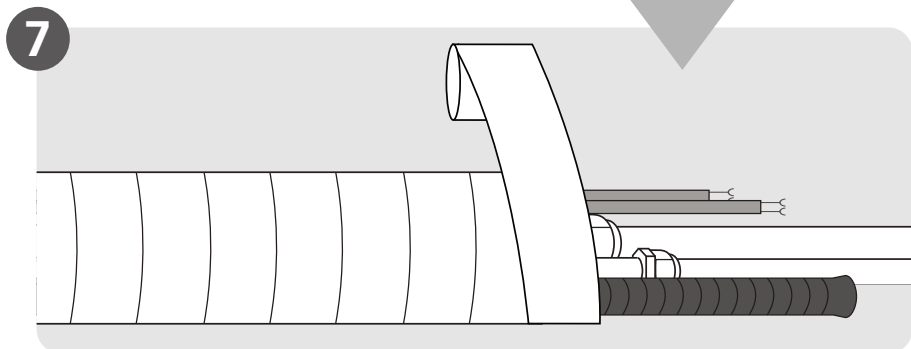
**Prepare Refrigerant Piping**  
(Page 12)



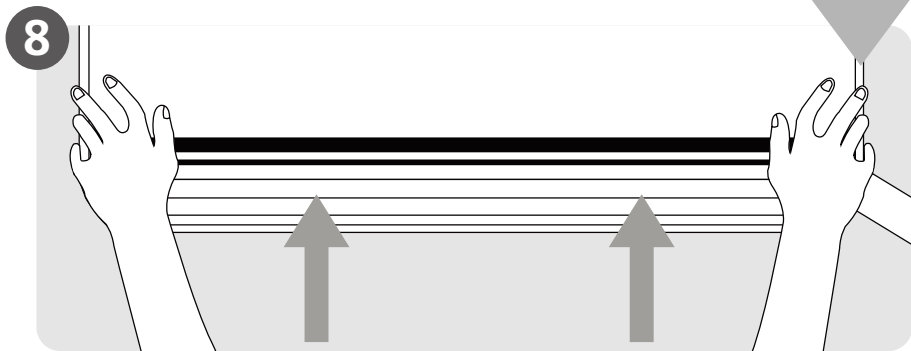
**5**  
Connect Drain Hose  
(Page 13)



**6**  
Connect Signal Cable  
(Page 14)



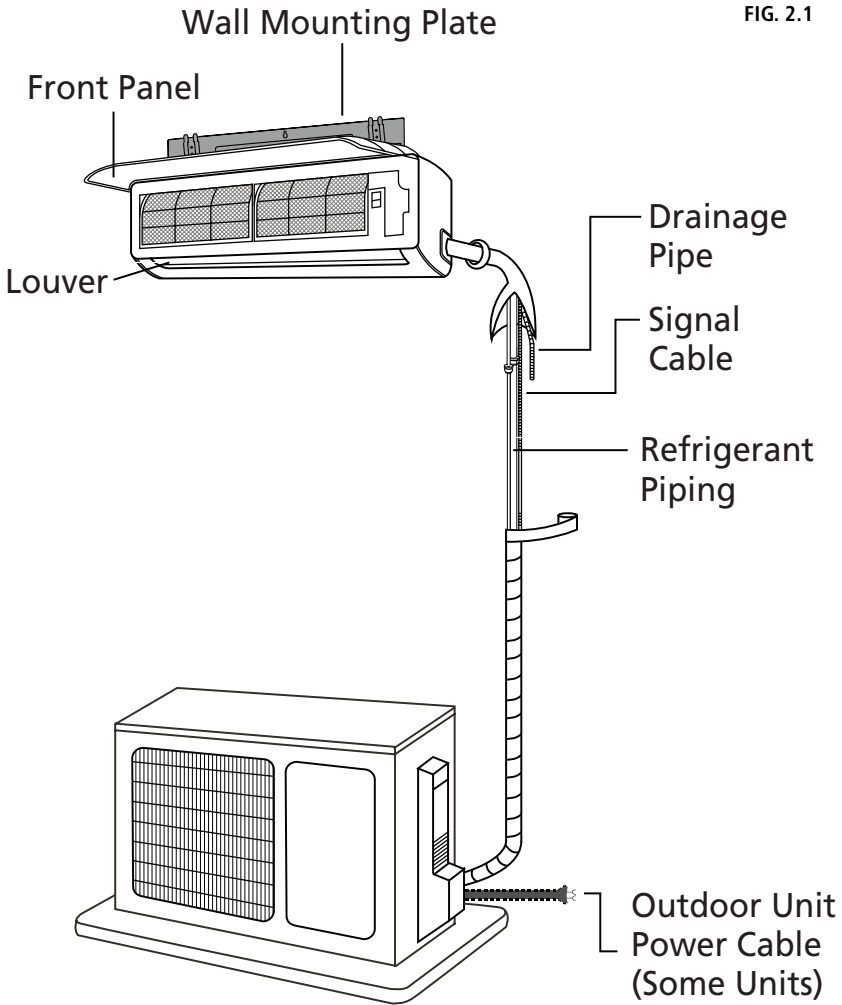
**7**  
Wrap Piping and Cable  
(Page 15)



**8**  
Mount Indoor Unit  
(Page 16)

# UNIT PARTS

FIG. 2.1



Remote Holder



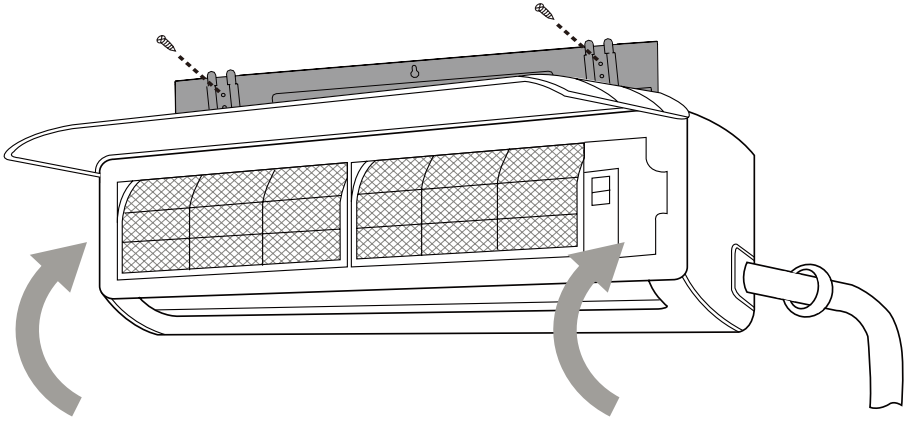
Remote Control  
(Some Units)

**NOTE: ON ILLUSTRATIONS**

Illustrations in this manual are for explanatory purposes. The actual shape of your indoor unit may be slightly different. The actual shape shall prevail.



# INDOOR UNIT INSTALLATION



## INSTALLATION INSTRUCTIONS – INDOOR UNIT

### PRIOR TO INSTALLATION

Before installing the indoor unit, refer to the label on the product box to make sure that the model number of the indoor unit matches the model number of the outdoor unit.

### STEP 1: SELECT INSTALLATION LOCATION

Before installing the indoor unit, you must choose an appropriate location. The following are standards that will help you choose an appropriate location for the unit.

### PROPER INSTALLATION LOCATIONS MEET THE FOLLOWING STANDARDS:

- Good air circulation.
- Convenient drainage.
- Noise from the unit will not disturb other people.
- Firm and solid—the location will not vibrate.
- Strong enough to support the weight of the unit.
- A location at least 1m/40" from all other electrical devices (e.g., TV, radio, computer).

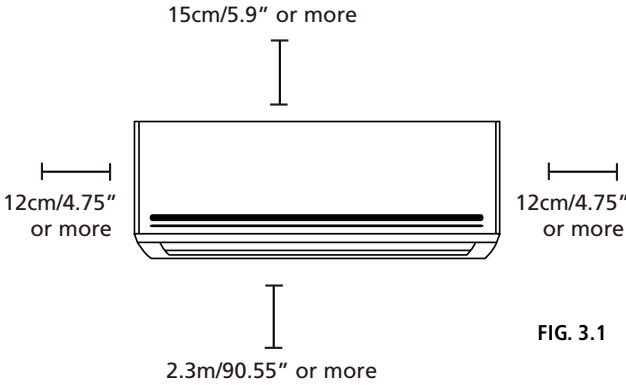
### DO NOT INSTALL UNIT IN THE FOLLOWING LOCATIONS:

- Near any source of heat, steam, or combustible gas.
- Near flammable items such as curtains or clothing.
- Near any obstacle that might block air circulation.
- Near the doorway.
- In a location subject to direct sunlight.

### NOTE: ABOUT WALL HOLE

If there is no fixed refrigerant piping, while choosing a location, be aware that you should leave ample room for a wall hole (see **Drill wall hole for connective piping** step) for the signal cable and refrigerant piping that connect the indoor and outdoor units. The default position for all piping is the right side of the indoor unit (while facing the unit). However, the unit can accommodate piping to both the left and right.

**REFER TO THE FOLLOWING DIAGRAM TO ENSURE PROPER DISTANCE FROM WALLS AND CEILING:**



**NOTE: FOR CONCRETE OR BRICK WALLS**  
 If the wall is made of brick, concrete, or similar material, drill 5mm-diameter (0.2" diameter) holes in the wall and insert the sleeve anchors provided. Then secure the mounting plate to the wall by tightening the screws directly into the clip anchors.

**FIG. 3.1**

**STEP 2: ATTACH MOUNTING PLATE TO WALL**

The mounting plate is the device on which you will mount the indoor unit.

- Remove the screw that attaches the mounting plate to the back of the indoor unit.
- Place the mounting plate against the wall in a location that meets the standards in the **Select Installation Location** step. (See **Mounting Plate Dimensions** for detailed information on mounting plate sizes.)
- Drill holes for mounting screws in places that:
  - a) Have studs and can support the weight of the unit.
  - b) Correspond to screw holes in the mounting plate.
- Secure the mounting plate to the wall with the screws provided.
- Make sure unit is level.

**STEP 3: DRILL WALL HOLE FOR CONNECTIVE PIPING**

You must drill a hole in the wall for refrigerant piping, the drainage pipe, and the signal cable that will connect the indoor and outdoor units.

- Determine the location of the wall hole based on the position of the mounting plate. Refer to **Mounting Plate Dimensions** on the next page to help you determine the optimal position. The wall hole should have a 65mm/2.5" diameter at least, and at a slightly lower angle to facilitate drainage.
- Using a 65-mm/2.5" core drill, drill a hole in the wall. Make sure that the hole is drilled at a slight downward angle, so that the outdoor end of the hole is lower than the indoor end by about 5mm-7mm/0.2-0.275". This will ensure proper water drainage. (See **FIG. 3.2**)
- Place the protective wall cuff in the hole. This

protects the edges of the hole and will help seal it when you finish the installation process.

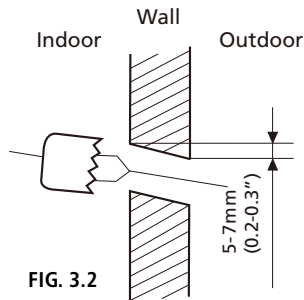
**CAUTION**

When drilling the wall hole, make sure to avoid wires, plumbing, and other sensitive components.

**MOUNTING PLATE DIMENSIONS**

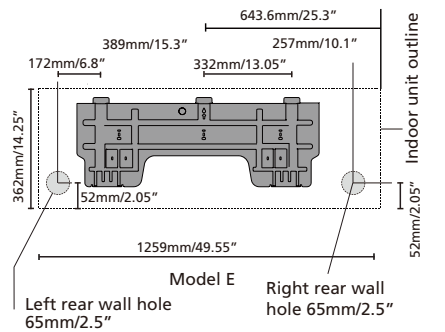
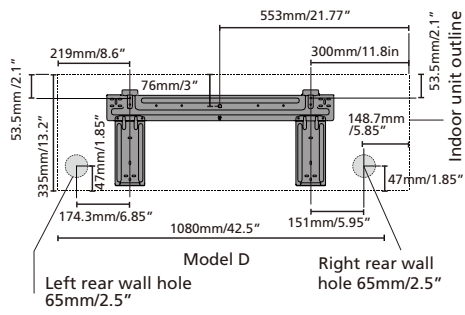
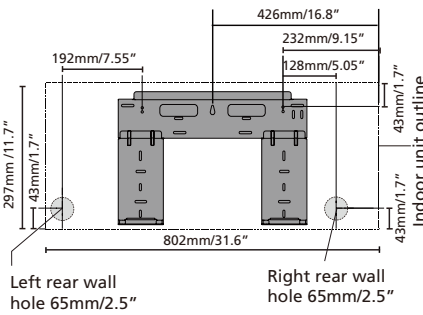
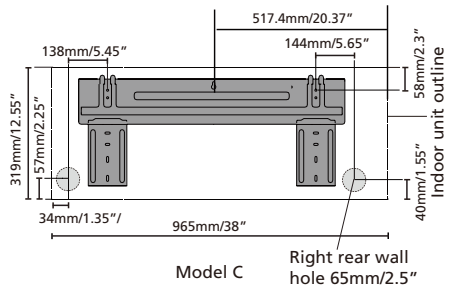
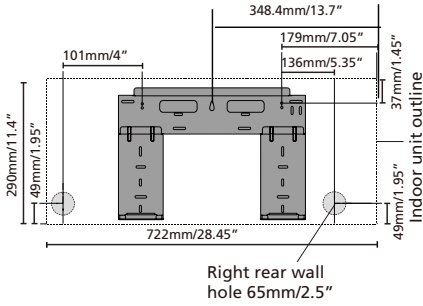
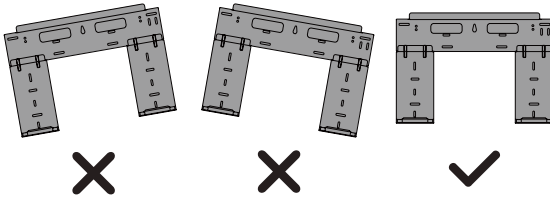
Different models have different mounting plates. In order to ensure that you have ample room to mount the indoor unit, the diagrams to the right show different types of mounting plates along with the following dimensions:

- Width of mounting plate.
- Height of mounting plate.
- Width of indoor unit relative to plate.
- Height of indoor unit relative to plate.
- Recommended position of wall hole (both to the left and right of mounting plate).
- Relative distances between screw holes.



**FIG. 3.2**

# CORRECT ORIENTATION OF MOUNTING PLATE



#### STEP 4: PREPARE REFRIGERANT PIPING

The refrigerant piping is inside an insulating sleeve attached to the back of the unit. You must prepare the piping before passing it through the hole in the wall. Refer to the **Refrigerant Piping Connection** section of this manual for detailed instructions on pipe flaring and flare torque requirements, technique, etc.

- Based on the position of the wall hole relative to the mounting plate, choose the side from which the piping will exit the unit.
- If the wall hole is behind the unit, keep the knock-out panel in place. If the wall hole is to the side of the indoor unit, remove the plastic knock-out panel from that side of the unit. (See FIG. 3.3). This will create a slot through which your piping can exit the unit. Use needle nose pliers if the plastic panel is too difficult to remove by hand.

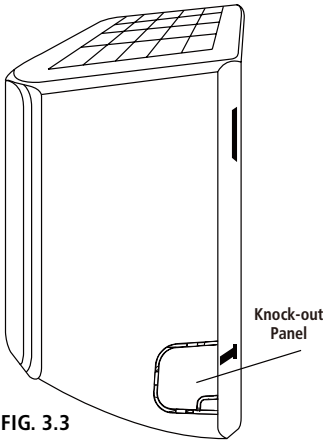


FIG. 3.3

- Use scissors to cut down the length of the insulating sleeve to reveal about 15cm/6" of the refrigerant piping. This serves two purposes:
  - a) To facilitate the **Refrigerant Piping Connection** process.
  - b) To facilitate gas leak checks and enable you to check for dents.
- If existing connective piping is already embedded in the wall, proceed directly to the **Connect Drain Hose** step. If there is no embedded piping, connect the indoor unit's refrigerant piping to the connective piping that will join the indoor and outdoor units. Refer to the **Refrigerant Piping Connection** section of this manual for detailed instructions.
- Based on the position of the wall hole relative to the mounting plate, determine the necessary angle of your piping.
- Grip the refrigerant piping at the base of the bend.
- Slowly, with even pressure, bend the piping towards the hole. **DO NOT** dent or damage the piping during the process.

#### NOTE: ON PIPING ANGLE

Refrigerant piping can exit the indoor unit from four different angles:

- Left-hand side
- Left rear
- Right-hand side
- Right rear

Refer to FIG. 3.4 for details.

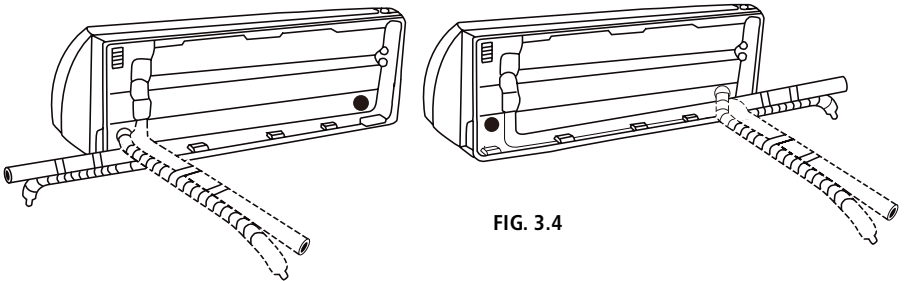


FIG. 3.4

#### ⚠ CAUTION

**BE EXTREMELY CAREFUL NOT TO DENT OR DAMAGE THE PIPING WHILE BENDING THEM AWAY FROM THE UNIT. ANY DENTS IN THE PIPING WILL AFFECT THE UNIT'S PERFORMANCE.**

### STEP 5: CONNECT DRAIN HOSE

By default, the drain hose is attached to the left hand side of unit (when you're facing the back of the unit). However, it can also be attached to the right-hand side.

- To ensure proper drainage, attach the drain hose on the same side that your refrigerant piping exits the unit.
- Attach drain hose extension (purchased separately) to the end of drain hose.
- Wrap the connection point firmly with Teflon tape to ensure a good seal and to prevent leaks.
- For the portion of the drain hose that will remain indoors, wrap it with foam pipe insulation to prevent condensation.
- Remove the air filter and pour a small amount of water into the drain pan to make sure that water flows from the unit smoothly.

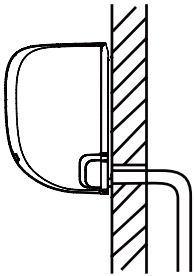
#### **ⓘ CAUTION NOTE: ON DRAIN HOLE PLACEMENT**

Make sure to arrange the drain hose according to FIG. 3.5.

- **DO NOT** kink the drain hose.
- **DO NOT** create a water trap.
- **DO NOT** put the end of drain hose in water or a container that will collect water.

### PLUG THE UNUSED DRAIN HOLE

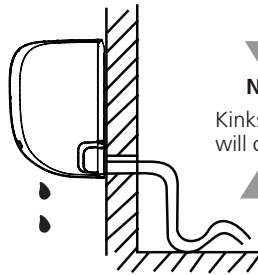
To prevent unwanted leaks you must plug the unused drain hole with the rubber plug provided.



**CORRECT**

Make sure there are no kinks or dent in drain hose to ensure proper drainage.

FIG. 3.5



**NOT CORRECT**

Kinks in the drain hose will create water traps.

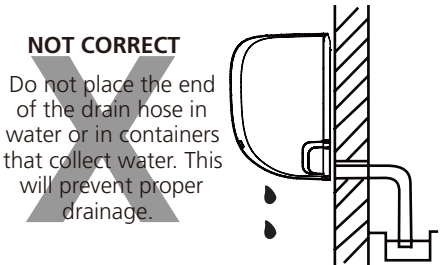
FIG. 3.7



**NOT CORRECT**

Kinks in the drain hose will create water traps.

FIG. 3.6



**NOT CORRECT**

Do not place the end of the drain hose in water or in containers that collect water. This will prevent proper drainage.

FIG. 3.8

## CAUTION

### BEFORE PERFORMING ELECTRICAL WORK, READ THESE REGULATIONS

- All wiring must comply with local and national electrical codes, and must be installed by a licensed electrician.
- All electrical connections must be made according to the Electrical Connection Diagram located on the panels of the indoor and outdoor units.
- If there is a serious safety issue with the power supply, stop work immediately. Explain your reasoning to the client, and refuse to install the unit until the safety issue is properly resolved.
- Power voltage should be within 90-100% of rated voltage. Insufficient power supply can cause malfunction, electrical shock, or fire.
- If connecting power to fixed wiring, install a surge protector (Ideal-Air™ 700522) and main power switch with a capacity of 1.5 times the maximum current of the unit.
- If connecting power to fixed wiring, a switch or circuit breaker that disconnects all poles and has a contact separation of at least 3mm/.125" must be incorporated in the fixed wiring. The qualified technician must use an approved circuit breaker or switch.
- Only connect the unit to an individual branch circuit outlet. **DO NOT** connect another appliance to that outlet.
- Make sure to properly ground the air conditioner.
- Every wire must be firmly connected. Loose wiring can cause the terminal to overheat, resulting in product malfunction and possible fire.
- **DO NOT** let wires touch or rest against refrigerant tubing, the compressor, or any moving parts within the unit.

## WARNING

### BEFORE PERFORMING ANY ELECTRICAL OR WIRING WORK, TURN OFF THE MAIN POWER TO THE SYSTEM.

#### STEP 6: CONNECT SIGNAL CABLE

The signal cable enables communication between the indoor and outdoor units. You must first choose the right cable size before preparing it for connection.

#### MINIMUM CROSS-SECTIONAL AREA OF POWER AND SIGNAL CABLES

North America		Other Regions	
Appliance Amps (A)	AWG	Rated Current of Appliance (A)	Nominal Cross-Sectional Area (mm <sup>2</sup> )/in <sup>2</sup>
10	18	> 3 and ≤ 6	0.75/.03"
13	16	> 6 and ≤ 10	1/.28"
18	14	> 10 and ≤ 16	1.5/.06"
25	12	> 16 and ≤ 25	2.5/.10"
30	10	> 25 and ≤ 32	4/.16"
		> 32 and ≤ 40	6/.24"

#### CHOOSE THE RIGHT CABLE SIZE

The size of the power supply cable, signal cable, fuse, and switch needed is determined by the maximum current of the unit. The maximum current is indicated on the nameplate located on the side panel of the unit. Refer to this nameplate to choose the right cable, fuse or switch.

## TAKE NOTE OF SPECIFICATIONS

- Using wire strippers, strip the rubber jacket from both ends of signal cable to reveal about 40mm/1.57" of the wires inside.
- Strip the insulation from the ends of the wires.
- Using wire crimper, crimp u-type lugs on the ends of the wires.

## PAY ATTENTION TO LIVE WIRE

While crimping wires, make sure you clearly distinguish the Live ("L") Wire from other wires.

- Open front panel of the indoor unit.
- Using a screwdriver, open the wire box cover on the right side of the unit. This will reveal the terminal block.

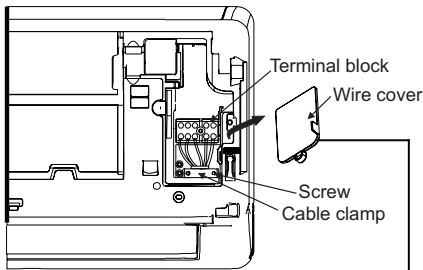


FIG. 3.9

The Wiring Diagram is located on the inside of the indoor unit's wire cover.

## ⚠ WARNING

**ALL WIRING MUST BE PERFORMED STRICTLY IN ACCORDANCE WITH THE WIRING DIAGRAM LOCATED ON THE INSIDE OF THE INDOOR UNIT'S WIRE COVER.**

- Unscrew the cable clamp below the terminal block and place it to the side.
- Facing the back of the unit, remove the plastic panel on the bottom left-hand side.
- Feed the signal wire through this slot, from the back of the unit to the front.
- Facing the front of the unit, match the wire colors with the labels on the terminal block, connect the u-lug and firmly screw each wire to its corresponding terminal.

## ⚠ CAUTION

### DO NOT MIX UP LIVE AND NULL WIRES

This is dangerous, and can cause the air conditioning unit to malfunction.

- After checking to make sure every connection is secure, use the cable clamp to fasten the signal cable to the unit. Screw the cable clamp down tightly.
- Replace the wire cover on the front of the unit, and the plastic panel on the back.

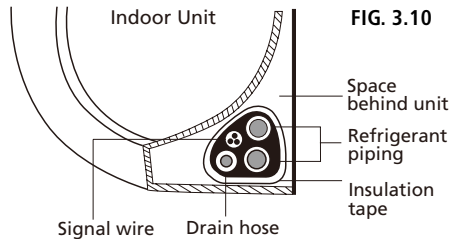
### NOTE: ABOUT WIRING

The wiring connection process may differ slightly between units.

## STEP 7: WRAP PIPING AND CABLES

Before passing the piping, drain hose, and the signal cable through the wall hole, you must bundle them together to save space, protect them, and insulate them.

- Bundle the drain hose, refrigerant pipes, and signal cable according to FIG. 3.10.



### DRAIN HOSE MUST BE ON BOTTOM

Make sure that the drain hose is at the bottom of the bundle. Putting the drain hose at the top of the bundle can cause the drain pan to overflow, which can lead to fire or water damage.

### DO NOT INTERTWINE SIGNAL CABLE WITH OTHER WIRES

While bundling these items together, **DO NOT** intertwine or cross the signal cable with any other wiring.

- Using adhesive vinyl tape, attach the drain hose to the underside of the refrigerant pipes.
- Using insulation tape, wrap the signal wire, refrigerant pipes, and drain hose tightly together. Double-check that all items are bundled in accordance with FIG. 3.10.

### DO NOT WRAP ENDS OF PIPING

When wrapping the bundle, keep the ends of the piping unwrapped. You need to access them to test for leaks at the end of the installation process (refer to **Electrical Checks** and **Leak Checks** section of this manual).

### STEP 8: MOUNT INDOOR UNIT

If you installed new connective piping to the outdoor unit, do the following:

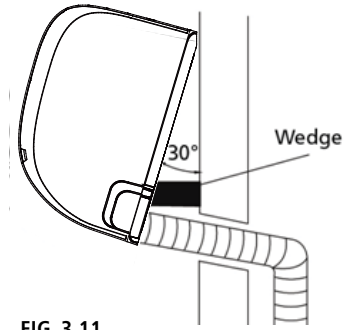
- If you have already passed the refrigerant piping through the hole in the wall.
- Otherwise, double-check that the ends of the refrigerant pipes are sealed to prevent dirt or foreign materials from entering the pipes.
- Slowly pass the wrapped bundle of refrigerant pipes, drain hose, and signal wire through the hole in the wall.
- Hook the top of the indoor unit on the upper hook of the mounting plate (Refer to **FIG. 3.11**).
- Check that unit is hooked firmly on mounting by applying slight pressure to the left and right-hand sides of the unit. The unit should not jiggle or shift.
- Using even pressure, push down on the bottom half of the unit. Keep pushing down until the unit snaps onto the hooks along the bottom of the mounting plate.
- Again, check that the unit is firmly mounted by applying slight pressure to the left and the right-hand sides of the unit.

If refrigerant piping is already embedded in the wall, do the following:

- Hook the top of the indoor unit on the upper hook of the mounting plate.
- Use a bracket or wedge to prop up the unit, giving you enough room to connect the refrigerant piping, signal cable, and drain hose (Refer to **FIG. 3.11** for an example).

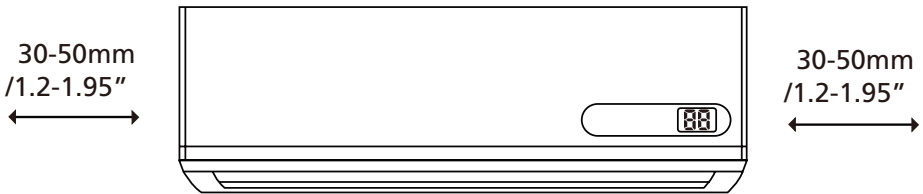
### UNIT IS ADJUSTABLE

Keep in mind that the hooks on the mounting plate are smaller than the holes on the back of the unit. If you find that you don't have ample room to connect embedded pipes to the indoor unit, the unit can be adjusted left or right by about 30-50mm/1.25-1.95", depending on the model. (See **FIG. 3.12**).



**FIG. 3.11**

- Connect drain hose and refrigerant piping (refer to **Refrigerant Piping Connection** section of this manual for instructions).
- Keep pipe connection point exposed to perform the leak test (refer to **Electrical Checks** and **Leak Checks** section of this manual).
- After the leak test, wrap the connection point with insulation tape.
- Remove the bracket or wedge that is propping up the unit.
- Using even pressure, push down on the bottom half of the unit. Keep pushing down until the unit snaps onto the hooks along the bottom of the mounting plate.



Move to left or right

**FIG. 3.12**



# OUTDOOR UNIT INSTALLATION

## INSTALLATION INSTRUCTIONS – OUTDOOR UNIT

### STEP 1: SELECT INSTALLATION LOCATION

Before installing the outdoor unit, you must choose an appropriate location. The following are standards that will help you choose an appropriate location for the unit.

#### PROPER INSTALLATION LOCATIONS MEET THE FOLLOWING STANDARDS:

- Meets all spatial requirements shown in Installation Space Requirements (FIG. 4.1).
- Good air circulation and ventilation.
- Firm and solid—the location can support the unit and will not vibrate.
- Noise from the unit will not disturb others.
- Protected from prolonged periods of direct sunlight or rain.
- Make sure your unit is level.

#### DO NOT install unit in the following locations:

- Near an obstacle that will block air inlets and outlets.
- Near a public street, crowded areas, or where noise from the unit will disturb others.
- Near animals or plants that will be harmed by hot air discharge.
- Near any source of combustible gas.
- In a location that is exposed to large amounts of dust.
- In a location exposed to an excessive amounts of salty air.

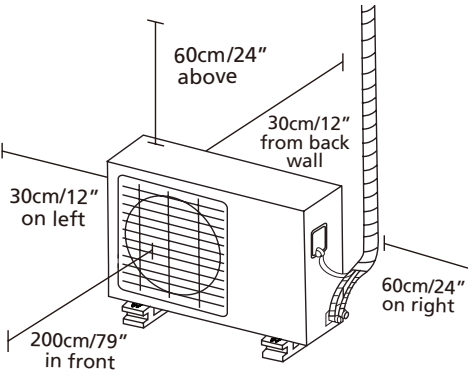


FIG. 4.1

#### SPECIAL CONSIDERATIONS FOR EXTREME WEATHER - IF THE UNIT IS EXPOSED TO HEAVY WIND:

Install unit so that air outlet fan is at a 90° angle to the direction of the wind. If needed, build a barrier in front of the unit to protect it from extremely heavy winds. See FIG. 4.2 and FIG. 4.3 above.

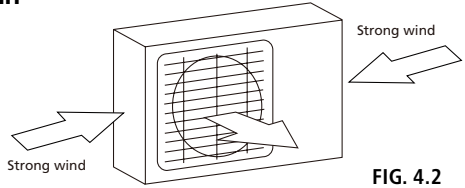


FIG. 4.2

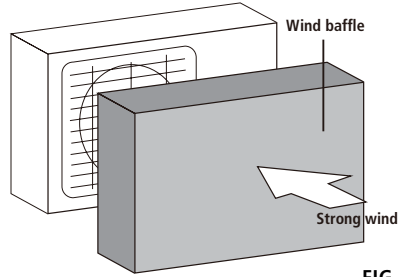


FIG. 4.3

#### IF THE UNIT IS FREQUENTLY EXPOSED TO HEAVY RAIN OR SNOW:

Build a shelter above the unit to protect it from the rain or snow. Be careful not to obstruct air flow around the unit.

#### IF THE UNIT IS FREQUENTLY EXPOSED TO SALTY AIR (SEASIDE):

Use outdoor unit that is specially designed to resist corrosion.

### STEP 2: INSTALL DRAIN JOINT

Heat pump units require a drain joint. Before bolting the outdoor unit in place, you must install the drain joint at the bottom of the unit. Note that there are two different types of drain joints depending on the type of outdoor unit.

If the drain joint comes with a rubber seal (see FIG. 4.4 - A), do the following:

- Fit the rubber seal on the end of the drain joint that will connect to the outdoor unit.
- Insert the drain joint into the hole in the base pan of the unit.
- Rotate the drain joint 90° until it clicks in place facing the front of the unit.
- Connect a drain hose extension (not included) to the drain joint to redirect water from the unit during heating mode.

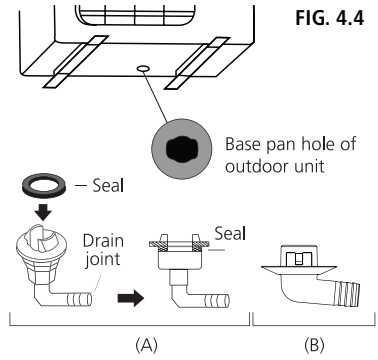
If the drain joint doesn't come with a rubber seal (see FIG. 4.4 - B), do the following:

- Insert the drain joint into the hole in the base pan of the unit. The drain joint will click in place.
- Connect a drain hose extension (not included) to the drain joint to redirect water from the unit during heating mode.

### **⚠ WARNING**

#### **IN COLD CLIMATES**

In cold climates, make sure that the drain hose is as vertical as possible to ensure swift water drainage. If water drains too slowly, it can freeze in the hose and flood the unit.

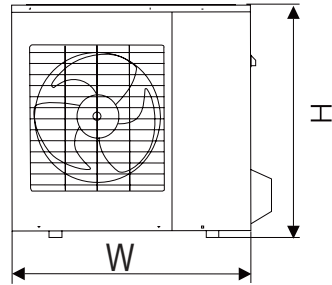
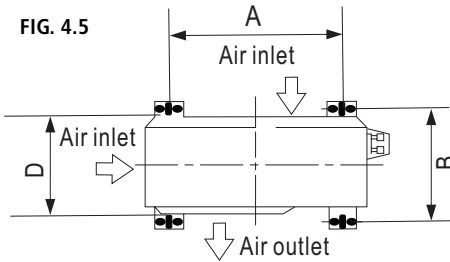


### **STEP 3: ANCHOR OUTDOOR UNIT**

The outdoor unit can be anchored to the ground or to a wall-mounted bracket.

#### **UNIT MOUNTING DIMENSIONS**

The following is a list of different outdoor unit sizes and the distance between their mounting feet. Prepare the installation base of the unit according to the dimensions below.



Outdoor Unit Dimensions (mm/in) W x H x D	Mounting Dimensions	
	Distance A (mm/in)	Distance B (mm/in)
681x434x285 (26.8"x17"x11.2")	460 (18.10")	292 (11.49")
700x550x270 (27.5"x21.6"x10.62")	450 (17.7")	260 (10.24")
780x540x250 (30.7"x21.25"x9.85")	549 (21.6")	276 (10.85")
845x700x320 (33.25"x27.5"x12.6")	560 (22")	335 (13.2")
810x558x310 (31.9"x22"x12.2")	549 (21.6")	325 (12.8")
700x550x275 (27.5"x21.6"x10.82")	450 (17.7")	260 (10.24")
770x555x300 (30.3"x21.85"x11.81")	487 (19.2")	298 (11.73")
800x554x333 (31.5"x21.8"x13.1")	514 (20.24")	340 (13.39")
845x702x363 (33.25"x27.63"x14.29")	540 (21.26")	350 (13.8")
900x860x315 (35.4"x33.85"x12.4")	590 (23.2")	333 (13.1")
945x810x395 (37.2"x31.9"x15.55")	640 (25.2")	405 (15.95")
946x810x420 (37.21"x31.9"x16.53")	673 (26.5")	403 (15.87")
946x810x410 (37.21"x31.9"x16.14")	673 (26.5")	403 (15.87")

**IF YOU WILL INSTALL THE UNIT ON THE GROUND OR ON A CONCRETE MOUNTING PLATFORM, DO THE FOLLOWING:**

- Mark the positions for four expansion bolts based on dimensions in the Unit Mounting Dimensions chart.
- Pre-drill holes for expansion bolts.
- Clean concrete dust away from holes.
- Place a nut on the end of each expansion bolt.
- Hammer expansion bolts into the pre-drilled holes.
- Remove the nuts from expansion bolts, and place outdoor unit on bolts.
- Put washer on each expansion bolt, then replace the nuts.
- Using a wrench, tighten each nut until snug.
- Ensure the unit is level.

**⚠ WARNING**

**WHEN DRILLING INTO CONCRETE, EYE PROTECTION IS RECOMMENDED AT ALL TIMES.**

**IF YOU WILL INSTALL THE UNIT ON A WALL-MOUNTED BRACKET, DO THE FOLLOWING:**

**ⓘ CAUTION**

Before installing a wall-mounted unit, make sure that the wall is made of solid brick, concrete, or of similarly strong material. **The wall must be able to support at least four times the weight of the unit.**

- Mark the position of bracket holes based on dimensions in the Unit Mounting Dimensions chart.
- Pre-drill the holes for the expansion bolts.
- Clean dust and debris away from holes.
- Place a washer and nut on the end of each expansion bolt.
- Thread expansion bolts through holes in mounting brackets, put mounting brackets in position, and hammer expansion bolts into the wall.
- Check that the mounting brackets are level.
- Carefully lift unit and place its mounting feet on brackets.
- Bolt the unit firmly to the brackets.

**TO REDUCE VIBRATIONS OF WALL MOUNTED UNIT**

If allowed, you can install the wall-mounted unit with rubber gaskets to reduce vibrations and noise.

**STEP 4: CONNECT SIGNAL AND POWER CABLES**

The outside unit's terminal block is protected by an electrical wiring cover on the side of the unit. A comprehensive wiring diagram is printed on the inside of the wiring cover.

**⚠ WARNING**

**BEFORE PERFORMING ELECTRICAL WORK, READ THESE REGULATIONS**

- All wiring must comply with local and national electrical codes, and must be installed by a licensed electrician.
- All electrical connections must be made according to the Electrical Connection Diagram located on the side panels of the indoor and outdoor units.
- If there is a serious safety issue with the power supply, stop work immediately. Explain your reasoning to the client, and refuse to install the unit until the safety issue is properly resolved.
- Power voltage should be within 90-100% of rated voltage. Insufficient power supply can cause electrical shock or fire.
- If connecting power to fixed wiring, install a surge protector (Ideal-Air™ 700522) and main power switch with a capacity of 1.5 times the maximum current of the unit.
- If connecting power to fixed wiring, a switch or circuit breaker that disconnects all poles and has a contact separation of at least 3mm/.125" must be incorporated in the fixed wiring. The qualified technician must use an approved circuit breaker or switch.
- Only connect the unit to an individual branch circuit outlet. **DO NOT** connect another appliance to that outlet.
- Make sure to properly ground the air conditioner.
- Every wire must be firmly connected. Loose wiring can cause the terminal to overheat, resulting in product malfunction and possible fire.
- **DO NOT** let wires touch or rest against refrigerant tubing, the compressor, or any moving parts within the unit.

**⚠ WARNING**

**BEFORE PERFORMING ANY ELECTRICAL OR WIRING WORK, TURN OFF THE MAIN POWER TO THE SYSTEM.**

- Prepare the cable for connection:

**MINIMUM CROSS-SECTIONAL AREA OF POWER AND SIGNAL CABLES**

**North America**

Appliance Amps (A)	AWG
10	18
13	16
18	14
25	12
30	10

**Other Regions**

Rated Current of Appliance (A)	Nominal Cross-Sectional Area (mm <sup>2</sup> )/in <sup>2</sup>
> 3 and ≤ 6	0.75/.03"
> 6 and ≤ 10	1/.04"
> 10 and ≤ 16	1.5/.06"
> 16 and ≤ 25	2.5/.10"
> 25 and ≤ 32	4/.16"
> 32 and ≤ 40	6/.24"

- Using wire strippers, strip the rubber jacket from both ends of cable to reveal about 40mm/1.75" of wire inside.
- Strip the insulation from the ends of the wires.
- Using a wire crimper, crimp u-lugs on the ends of the wires.

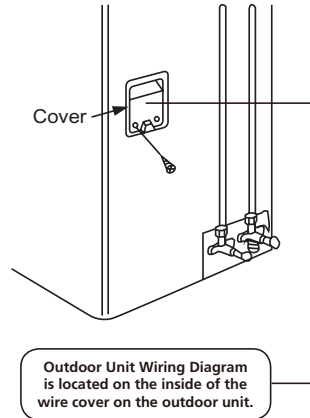
**PAY ATTENTION TO LIVE WIRE**

While crimping wires, make sure you clearly distinguish the Live ("L") Wire from other wires.

**⚠ WARNING**

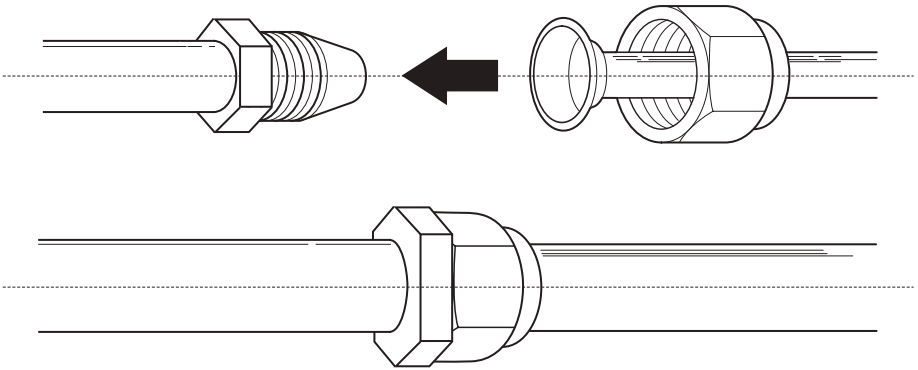
**ALL WIRING MUST PERFORMED STRICTLY IN ACCORDANCE WITH THE WIRING DIAGRAM LOCATED INSIDE THE OUT-DOOR UNIT'S WIRE COVER.**

- Unscrew the electrical wiring cover and remove it.
- Unscrew the cable clamp below the terminal block and place it to the side.
- Match the wire colors/labels with the labels on the terminal block, and firmly screw the u-lug of each wire to its corresponding terminal.
- After checking to make sure every connection is secure, loop the wires around to prevent rain water from flowing into the terminal.
- Using the cable clamp, fasten the cable to the unit. Screw the cable clamp down tightly.
- Insulate unused wires with PVC electrical tape. Arrange them so that they **DO NOT** touch any electrical or metal parts.
- Replace the wire cover on the side of the unit, and screw it in place.



**FIG. 4.6**

# REFRIGERANT PIPING CONNECTION



## NOTE ON PIPE LENGTH

The length of refrigerant piping will affect the performance and energy efficiency of the unit. Nominal efficiency is tested on units with a pipe length of 5m/16.5'. Refer to the table below for specifications on the maximum length and drop height of piping.

## MAXIMUM LENGTH AND DROP HEIGHT OF REFRIGERANT PIPING PER UNIT MODEL

Model	Capacity (BTU/h)	Max. Length (m)	Max. Drop Height (m)
R410A Inverter Split Air Conditioner	< 15,000	25 (82')	10 (33')
	≥ 15,000 and < 24,000	30 (98.5')	20 (66')
	≥ 24,000 and < 36,000	50 (164')	25 (82')
	≥ 36,000 and ≤ 60,000	65 (213')	30 (98.5')

## CONNECTION INSTRUCTIONS – REFRIGERANT PIPING

### STEP 1: CUT PIPES

When preparing refrigerant pipes, take extra care to cut and flare them properly. This will ensure efficient operation and minimize the need for future maintenance.

- Measure the distance between the indoor and outdoor units.
- Using a pipe cutter, cut the pipe a little longer than the measured distance.
- Make sure that the pipe is cut at a perfect 90° angle. Refer to FIG. 5.1 for bad cut examples.

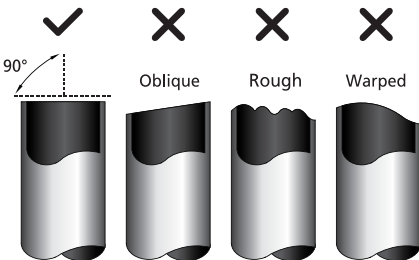


FIG. 5.1

## ⚠ WARNING

### DO NOT DEFORM PIPE WHILE CUTTING

Be extra careful not to damage, dent, or deform the pipe while cutting. This will drastically reduce the heating efficiency of the unit.

### STEP 2: REMOVE BURRS

Burrs can affect the air-tight seal of refrigerant piping connection. They must be completely removed.

- Hold the pipe at a downward angle to prevent burrs from falling into the pipe.
- Using a reamer or deburring tool, remove all burrs from the cut section of the pipe.

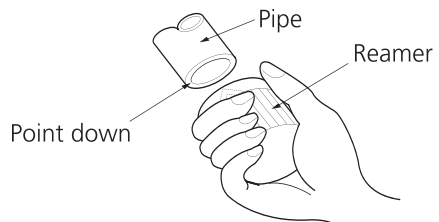


FIG. 5.2

### STEP 3: FLARE PIPE ENDS

Proper flaring is essential to achieve an airtight seal.

- After removing burrs from cut pipe, seal the ends with PVC tape to prevent foreign materials from entering the pipe.
- Sheath the pipe with insulating material.
- Place flare nuts on both ends of pipe. Make sure they are facing in the right direction, because you can't put them on or change their direction after flaring. See FIG. 5.3.

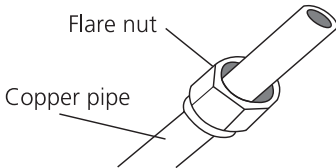


FIG. 5.3

- Remove PVC tape from ends of pipe when ready to perform flaring work.
- Clamp flare form on the end of the pipe. The end of the pipe must extend beyond the edge of the flare form in accordance with the dimensions shown in the table below.

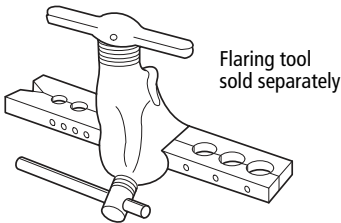


FIG. 5.4

### PIPING EXTENSION BEYOND FLARE FORM

Outer Diameter of Pipe (mm)	A (mm)	
	Min.	Max.
Ø 6.35 (Ø 0.25")	0.7 (0.0275")	1.3 (0.05")
Ø 9.52 (Ø 0.375")	1.0 (0.04")	1.6 (0.063")
Ø 12.7 (Ø 0.5")	1.0 (0.04")	1.8 (0.07")
Ø 16 (Ø 0.63")	2.0 (0.078")	2.2 (0.086")
Ø 19 (Ø 0.75")	2.0 (0.078")	2.4 (0.094")

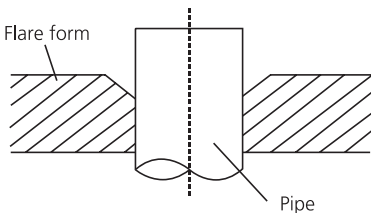


FIG. 5.5

- Place flaring tool onto the form.
- Turn the handle of the flaring tool clockwise until the pipe is fully flared.
- Remove the flaring tool and flare form, then inspect the end of the pipe for cracks and even flaring.

### STEP 4: CONNECT PIPES

When connecting refrigerant pipes, be careful not to use excessive torque or to deform the piping in any way. You should first connect the low-pressure pipe, then the high-pressure pipe.

### MINIMUM BEND RADIUS

When bending connective refrigerant piping, the minimum bending radius is 10cm/4" (See FIG. 5.6).

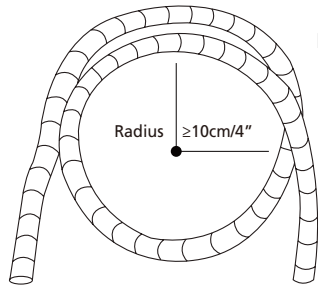


FIG. 5.6

### INSTRUCTIONS FOR CONNECTING PIPING TO INDOOR UNIT

- Align the center of the two pipes that you will connect (See FIG. 5.7).

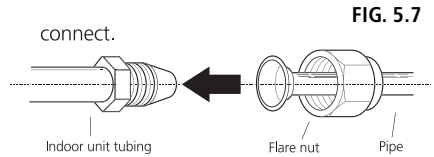


FIG. 5.7

- Tighten the flare nut as tightly as possible by hand.
- Using a spanner, grip the nut on the unit tubing.
- While firmly gripping the nut on the unit tubing, use a torque wrench to tighten the flare nut according to the torque values in the **Torque Requirements table** (next page). Loosen the flaring nut slightly, then tighten again.

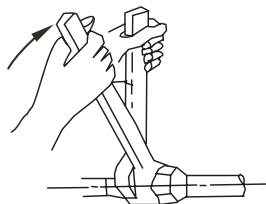


FIG. 5.8

## TORQUE REQUIREMENTS

Outer Diameter of Pipe (mm)	Tightening Torque (N•cm)	Add. Tightening Torque (N•m)
Ø 6.35 (Ø 0.25")	1,500 (11lb •ft)	1,600 (11.8lb •ft)
Ø 9.52 (Ø 0.375")	2,500 (18.4lb •ft)	2,600 (19.18lb •ft)
Ø 12.7 (Ø 0.5")	3,500 (25.8lb•ft)	3,600 (26.55lb•ft)
Ø 16 (Ø 0.63")	4,500 (33.19lb•ft)	4,700 (34.67lb•ft)

### **⚠ WARNING**

#### **DO NOT USE EXCESSIVE TORQUE**

Excessive force can break the nut or damage the refrigerant piping. You must not exceed torque requirements shown in the table above.

#### **INSTRUCTIONS FOR CONNECTING PIPING TO OUTDOOR UNIT**

- 1 Unscrew the cover from the packed valve on the side of the outdoor unit. (See FIG. 5.9)

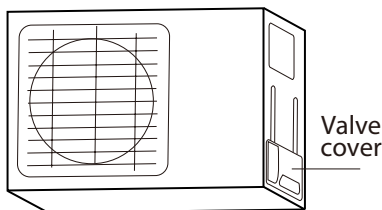


FIG. 5.9

- 2 Remove protective caps from ends of valves.
- 3 Align flared pipe end with each valve, and tighten the flare nut as tightly as possible by hand.
- 4 Using a spanner, grip the body of the valve. **DO NOT** grip the nut that seals the service valve. (See FIG. 5.10)

#### **USE SPANNER TO GRIP MAIN BODY OF VALVE**

Torque from tightening the flare nut can snap off other parts of valve.

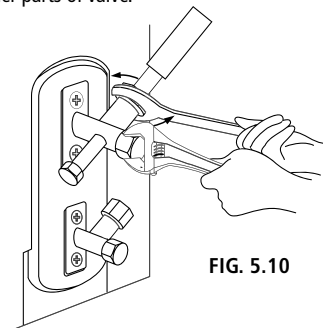


FIG. 5.10

- 5 While firmly gripping the body of the valve, use a torque wrench to tighten the flare nut according to the correct torque values.
- 6 Loosen the flaring nut slightly, then tighten again.
- 7 Repeat Steps 3 to 6 for the remaining pipe.

## **AIR EVACUATION**

#### **PREPARATIONS AND PRECAUTIONS**

Air and foreign matter in the refrigerant circuit can cause abnormal rises in pressure, which can damage the air conditioner, reduce its efficiency, and cause injury. Use a vacuum pump and manifold gauge to evacuate the refrigerant circuit, removing any non-condensable gas and moisture from the system.

Evacuation should be performed upon initial installation and when unit is relocated.

#### **BEFORE PERFORMING EVACUATION**

- Check to make sure that both high pressure and low-pressure pipes between the indoor and outdoor units are connected properly in accordance with the Refrigerant Piping Connection section of this manual.
- Check to make sure all wiring is connected properly.

## EVACUATION INSTRUCTIONS

Before using the manifold gauge and vacuum pump, read their operation manuals to familiarize yourself with how to use them properly.

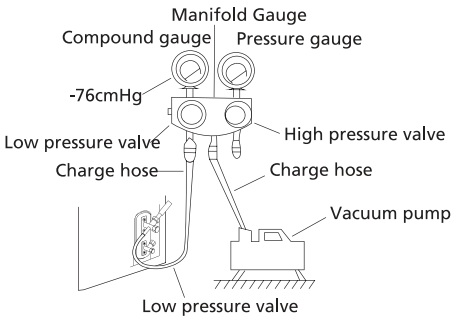


FIG. 6.1

- Connect the charge hose of the manifold gauge to service port on the outdoor unit's low pressure valve.
- Connect another charge hose from the manifold gauge to the vacuum pump.
- Open the low pressure side of the manifold gauge. Keep the high pressure side closed.
- Turn on the vacuum pump to evacuate the system.
- Run the vacuum for at least 15 minutes, or until the compound meter reads -76cmHG (-10 Pa).
- Close the low pressure side of the manifold gauge, and turn off the vacuum pump.
- Wait for 5 minutes, then check that there has been no change in system pressure.
- If there is a change in system pressure, refer to **Gas Leak Check** section for information on how to check for leaks. If there is no change in system pressure, unscrew the cap from the packed valve (high pressure valve).

- Insert hexagonal wrench into the packed valve (high pressure valve) and open the valve by turning the wrench in a .25" counterclockwise turn. Listen for gas to exit the system, then close the valve after 5 seconds.
- Watch the Pressure Gauge for one minute to make sure that there is no change in pressure. The Pressure Gauge should read slightly higher than atmospheric pressure.

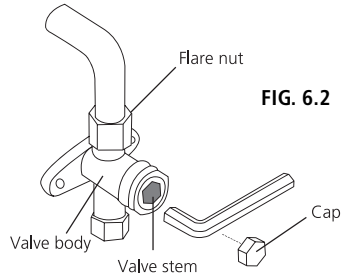


FIG. 6.2

- Remove the charge hose from the service port.
- Using hexagonal wrench, fully open both the high pressure and low pressure valves.
- Tighten valve caps on all three valves (service port, high pressure, low pressure) by hand. You may tighten it further using a torque wrench if needed.

### **⚠ WARNING**

#### **OPEN VALVE STEMS GENTLY**

When opening valve stems, turn the hexagonal wrench until it hits against the stopper. **DO NOT** try to force the valve to open further.

### NOTE: ON ADDING REFRIGERANT

Some systems require additional charging depending on pipe lengths. The standard pipe length varies according to local regulations. For example, in North America, the standard pipe length is 7.5m/25'. In other areas, the standard pipe length is 5m/16'. The additional refrigerant to be charged can be calculated using the following formula:

### ADDITIONAL REFRIGERANT PER PIPE LENGTH

Connective Pipe Length (m)	Air Purging Method	Additional Refrigerant	
≤ Standard pipe length	Vacuum Pump	N/A	
> Standard pipe length	Vacuum Pump	Liquid Side: Ø 6.35 (ø 0.25") <b>R22:</b> (Pipe length – standard length) x 30g/m (Pipe length – standard length) x 0.32oz/ft <b>Inverter R410A:</b> (Pipe length – standard length) x 15g/m (Pipe length – standard length) x 0.16oz/ft <b>Fixed-frequency R410A:</b> (Pipe length – standard length) x 20g/m (Pipe length – standard length) x 0.21oz/ft	Liquid Side: Ø 9.52 (ø 0.375") <b>R22:</b> (Pipe length – standard length) x 60g/m (Pipe length – standard length) x 0.64oz/ft <b>Inverter R410A:</b> (Pipe length – standard length) x 30g/m (Pipe length – standard length) x 0.32oz/ft <b>Fixed-frequency R410A:</b> (Pipe length – standard length) x 40g/m (Pipe length – standard length) x 0.42oz/ft

**⚠ CAUTION DO NOT MIX REFRIGERANT TYPES.**



# ELECTRICAL AND GAS LEAK CHECKS

## ELECTRICAL SAFETY CHECKS

After installation, confirm that all electrical wiring is installed in accordance with local and national regulations, and according to the Installation Manual.

### BEFORE TEST RUN: CHECK GROUNDING WORK

Measure grounding resistance by visual detection and with grounding resistance tester. Grounding resistance must be less than 4.

**NOTE:**

This may not be required for some locations in the US.

### DURING TEST RUN: CHECK FOR ELECTRICAL LEAKAGE

During the Test Run, use an electroprobe and multimeter to perform a comprehensive electrical leakage test.

If electrical leakage is detected, turn off the unit immediately and call a licensed electrician to find and resolve the cause of the leakage.

**NOTE:**

This may not be required for some locations in the US.

## TEST RUN

### BEFORE TEST RUN

Only perform test run after you have completed the following steps:

- Electrical Safety Checks – Confirm that the unit’s electrical system is safe and operating properly.
- Gas Leak Checks – Check all flare nut connections and confirm that the system is not leaking.
- Confirm that gas and liquid (high and low pressure) valves are fully open.

### TEST RUN INSTRUCTIONS

You should perform the Test Run for at least 30 minutes.

- Connect power to the unit.
- Press the ON/OFF button on the remote control to turn it on.
- Press the MODE button to scroll through the following functions, one at a time:
  - a) COOL – Select lowest possible temperature.
  - b) HEAT – Select highest possible temperature.
- Let each function run for 5 minutes, and perform the following checks in the chart to the right:

## WARNING

**WARNING – RISK OF ELECTRIC SHOCK! ALL WIRING MUST COMPLY WITH LOCAL AND NATIONAL ELECTRICAL CODES, AND MUST BE INSTALLED BY A LICENSED ELECTRICIAN.**

### GAS LEAK CHECKS

There are two different methods to check for gas leaks.

#### SOAP AND WATER METHOD

Using a soft brush, apply soapy water or liquid detergent to all pipe connection points on the indoor unit and outdoor unit. The presence of bubbles indicates a leak.

#### LEAK DETECTOR METHOD

If using leak detector, refer to the device’s operation manual for proper usage instructions.

### AFTER PERFORMING GAS LEAK CHECKS

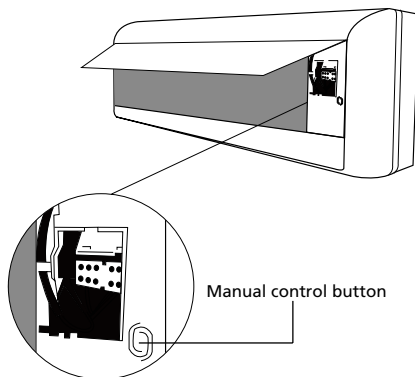
After confirming that the all pipe connection points do not leak, replace the valve cover on the outside unit.

List of Checks to Perform	PASS/FAIL	
No electrical leakage		
Unit is properly grounded		
All electrical terminals properly covered		
Indoor and outdoor units are solidly installed		
All pipe connection points do not leak	Outdoor (2):	Indoor (2):
Water drains properly from drain hose		
All piping is properly insulated		
Unit performs COOL function properly		
Unit performs HEAT function properly		
Indoor unit louvers rotate properly		
Indoor unit responds to remote controller		

## DOUBLE-CHECK PIPE CONNECTIONS

During operation, the pressure of the refrigerant circuit will increase. This may reveal leaks that were not present during your initial leak check. Take time during the Test Run to double-check that all refrigerant pipe connection points do not have leaks. Refer to **Gas Leak Check** section for instructions.

- After the test run is successfully complete, and you confirm that all checks points in **List of Checks to Perform** have PASSED, do the following:
  - a) Using remote control, return unit to normal operating temperature.
  - b) Using insulation tape, wrap the indoor refrigerant pipe connections that you left uncovered during the indoor unit installation process.



## IF AMBIENT TEMPERATURE IS BELOW 17°C/63°F

You can't use the remote control to turn on the COOL function when the ambient temperature is below 17°C. In this instance, you can use the MANUAL CONTROL button to test the COOL function.

- Lift the front panel of the indoor unit, and raise it until it clicks in place.
- The MANUAL CONTROL button is located on the right-hand side of the unit. Press it 2 times to select the COOL function (See **FIG. 8.1**).
- Perform test run as normal.

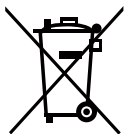
## DISPOSAL GUIDELINES

This appliance contains refrigerant and other potentially hazardous materials. When disposing of this appliance, the law requires special collection and treatment. **DO NOT** dispose of this product as household waste or unsorted municipal waste. When disposing of this appliance, you have the following options:

- Dispose of the appliance at designated municipal electronic waste collection facility.

### SPECIAL NOTICE

Disposing of this appliance in the forest or other natural surroundings endangers your health and is bad for the environment. Hazardous substances may leak into the ground water and enter the food chain.



# GLOSSARY OF TERMS

**A/C** – Air conditioning also referred to as A/C. A system or device for reducing the temperature and humidity, in a space.

**AHAM** – Acronym for Association of Home Appliance Manufacturers. AHAM produces the official rating for dehumidifiers.

**BTU** – British Thermal Unit. A single BTU is the amount of energy required to cool or heat a pound of water one degree Fahrenheit.

**Condenser** – The unit used to condense a substance from a gaseous state to liquid by cooling it. Condensers are generally recognized as heat exchangers. In the case of air conditioners they extract the inside heat from the interior of the air conditioner to the outside air. Often referred to as “the outdoor unit.”

**Dehumidifier** – Also called, dehum. Dehumidifiers remove humidity and are used to keep a rooms humidity levels in check. Maintaining correct humidity will ensure a healthy crop. Too much humidity will cause molds, rot and devastate your crop.

**Digital Inverter Compressor** – A digitally controlled compressor that converts AC voltage to DC voltage to control compressor speed. The inverter allows precise throttle control of the conditioning unit based on the load or need. Inverter units are quieter, more efficient and last longer.

**Ductless Mini-Split** – An air conditioner or heat pump that requires no duct work to function. The unit hangs on the wall or ceiling and cools or heats the surrounding area.

**Evaporator** – The indoor portion of the heat pump or air conditioner. In a mini-split system this hangs on the wall or ceiling and provides the heating or cooling of the space.

**H/P** – Heat Pump. A unit that can operate as both an air conditioner or a heater. When it’s cold outside a heat pump extracts the outside heat and transfers it inside. When it’s warm outside, it reverses directions and acts like an air conditioner, removing heat. A heat pump moves heat instead of generating it, giving you more energy efficiency.

**HSPF** – Heating Seasonal Performance Factor. The greater the number/rating the more efficient the heating. A 10 HSPF, for example is a very good rating.

**Humidifier** – Humidifiers use water to put humidity in the growing space. Many plants we grow indoors are accustomed to growing outdoors in tropical areas where humidity is high. Also certain parts of the country are drier than others so you will need to add humidity.

**Line Set** – Insulated copper tubing used to connect the evaporator and condenser. The refrigerant travels back and forth through the line set between the evaporator and condenser to create either cooling or heating.

**R-410** – A type of refrigerant. Unlike alkyl halide refrigerants, R-410A (which contains only fluorine) does not contribute to ozone depletion. Because of that attribute it’s preferred and used more broadly instead of R-22 which are phased out. R-410 refrigerants allow for higher SEER ratings therein reducing power consumption and improving unit efficiency.

**SEER** – Seasonal Energy Efficiency Ratio. The greater the SEER rating, the more efficient the cooling system. The minimum SEER rating allowed by the Federal Government is 14.

**Ton** – The size of air conditioning unit (heating or cooling) is common referred to in “tons”. A one ton unit, for example, is 12,000 BTU’s. A two ton, 24,000 BTU’s, etc. This was arrived at using a standard of how long it would take to melt ice. A one ton unit takes 12,000BTU’s of heat one hour to melt a ton of ice.

**VFD** – Variable Frequency Drive. The VFD is an electrical device that’s used to control the speed and torque of an air conditioning motor, like those used in an inverter compressor.

## NOTES

---

---

---

---

---

---

---

---

---

---

# IMPORTANT

*Product not working properly?*

**DO NOT return this product  
to the store where you  
purchased it.**

Contact Ideal-Air™ support directly  
at [support@ideal-air.com](mailto:support@ideal-air.com) or call

**1-877-943-3251**

For answers to most common questions and a complete  
technical support library please visit [www.ideal-air.com](http://www.ideal-air.com)



**GROWING CLIMATE SOLUTIONS®**

[ideal-air.com](http://ideal-air.com)

All design and specifications herein are subject to change without  
notice for product improvement. Contact Ideal-Air™ for details,  
updates and other information.