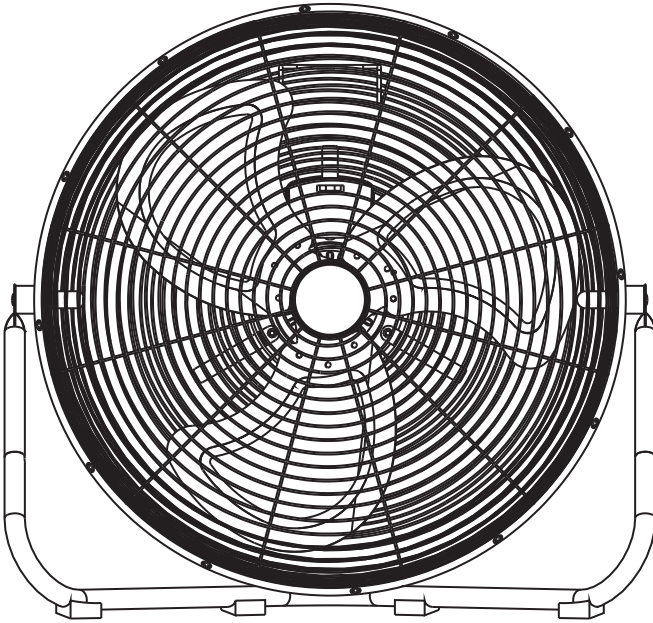


Hurricane[®] PRO

**HIGH VELOCITY
METAL FLOOR FAN 20"**

AMPS: 1.2 / WATTS: 145 / VOLT: 120



**READ AND SAVE
THESE INSTRUCTIONS**

HIGH VELOCITY

CAUTION

Read the rules and instructions carefully for safe operation.

WARNING

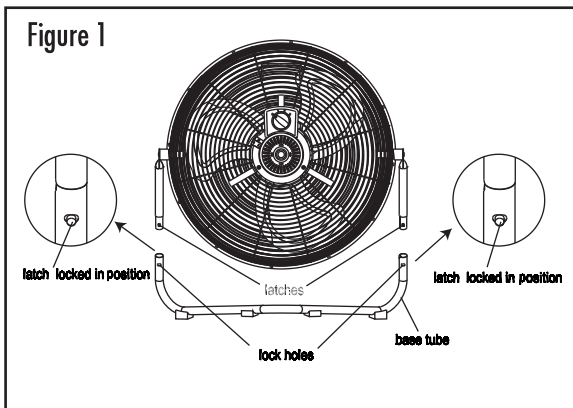
1. To reduce the risk of fire or electric shock, do not use this fan with any solid-state speed control device.
2. This appliance has a polarized plug (one blade is wider than the other). To reduce the risk of electric shock, this plug is intended to fit in a polarized outlet only one way. If plug does not fit fully in the outlet, reverse the plug. If it still does not fit, contact a qualified electrician. Do not attempt to defeat this safety feature.
3. This fan should only be placed on the floor.
4. This appliance is not intended for use by persons (including children) with reduced physical, sensory or mental capabilities, or lack of experience and knowledge. Children should be supervised to ensure that they do not play with the appliance.
6. Do not leave the fan running unattended.
7. Please make sure the voltage of the power supply is the same as shown on the fan nameplate.

RULES FOR SAFETY OPERATION

1. Never leave the fan running unattended, unplug the fan when not in use or cleaning.
2. Position the fan in an area that is free from obstructions. This will help to keep the fans air intake and discharge grill free from blockage.
3. Be sure the fan is on a stable surface when operating to avoid overturning.
4. Never insert fingers, pencils, or any other object through the grille when fan is running.
5. Disconnect the fan from the electrical outlet when moving from one location to another.
6. Never connect the fan to a power source while disassembled.
7. DO NOT use fan in window, rain may create electrical hazard.
8. Indoor use only.
9. The rules for cord and plug as follows:
 - (1) This product employs overload protection (fuse). A blown fuse indicates an overload or short-circuit situation. If the fuse blows, unplug the product from the outlet. Replace the fuse as per the User Servicing Instructions (follow product marking for proper fuse rating) and check the product. If the replacement fuse blows, a short-circuit may be present and the product should be discarded or returned to an authorized service facility for examination and/or repair.
 - (2) Do not operate any fan with a damaged cord or plug. Discard fan or return to an authorized service facility for examination and/or repair.
 - (3) Do not run cord under carpeting. Do not cover cord with throw rugs, runners, or similar coverings. Do not route cord under furniture or appliances. Arrange cord away from traffic area and where it will not be tripped over.

ASSEMBLY INSTRUCTIONS

1. Unpack the packing box and take the fan out of the box.
2. Locate the latches on the rear side of the 2 legs and insert into the 2 ends of the base tube (See Figure 1).
3. Press the latch on each leg and insert it into the base tube until the latch is locked into the hole in position (see close-up of the latch in Figure 1).
3. Place the fan in upright position with logo plate facing front.
4. Plug the fan into standard 120 Volt AC electrical outlet and the fan is ready for use.



OPERATING INSTRUCTIONS

1. Only operate the fan with the recommended voltage designated on the fan rating label.
2. To adjust fan speed turn the speed control knob located on the switch box to the desired speed: 0 — Stop 1 — Low 2 — Medium 3 — High
3. Adjust the tilt angle of the fan head by pushing the grille up or down to the desired position.



CLEANING AND MAINTENANCE INSTRUCTIONS

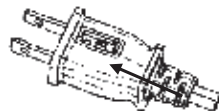
The fan requires little maintenance. Do not try to fix it by yourself. Refer it to qualified service personnel if service is needed.

1. Before cleaning or assembling, unplug the power cord from electrical outlet.
2. To ensure adequate air circulation to the motor. Keep vents at the rear of the motor housing from dust, fluff and etc. A vacuum cleaner can not be used to clean these vents before unplugging. Do not disassemble the fan to remove fluff.
3. Please wipe the exterior parts with a soft cloth soaked in a mild detergent. Do not use any abrasive detergent or solvents to avoid scratching the surface. Do not use of the following as a cleaner: gasoline, thinner, benzene.
4. Do not allow water or any other liquid into the motor housing or interior parts.



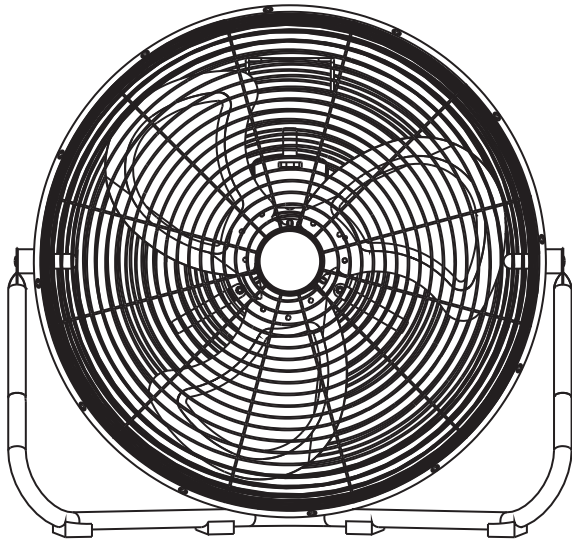
USER SERVICING INSTRUCTIONS

1. Grasp plug and remove from the receptacle or other outlet device. Do not unplug by pulling on cord.
2. Open fuse cover. Slide open fuse access cover on top of attached plug towards blades.
3. Remove fuse carefully. Push the fuse from the other side or turn fuse-holder over to remove fuse.
4. Risk of fire. Replace fuse only with 2.5 Amp, 125 Volt fuse.
5. Close fuse cover. Slide close the fuse access cover on top of attached plug.
6. Risk of fire. Do not replace attached plug. Contains a safety device (fuse) that should not be removed. Discard product if the attached plug is damaged.



Notice:

1. When you replace fuse, please don't operate suddenly or overexert, or else the product will be damage or cause accident.
2. When you feel it is hard to operate, please make sure you have got the right way.



Hurricane[®] PRO

HIGH VELOCITY METAL FLOOR FAN 20"

Part #736476

Use a "QR Code App" on
your smart phone to access
our website and browse our
entire product offering or go
to: www.hurricane-fans.com



Hurricane[®]
www.hurricane-fans.com



Exclusively distributed by:
National Garden Wholesale,
Sunlight Supply, Inc.
www.sunlightsupply.com

INNOVATING
**SINCE
1995**