

# VERTY GO



## GENERAL DATA

### Applications

Multi-purpose submersible pumps for drainage, emptying, and pumping water between containers. Specifically designed for uses in narrow pits with dimensions down to 8" x 8".

Suitable to pump clear water containing particles with maximum diameter up to 1/4".

- \* Drainage
- \* Emptying sumps
- \* Transferring water between large containers
- \* Hydroponics

### Constructional features of the pump

Technopolymer pump body.

Technopolymer impeller.

Technopolymer Vertical float switch.

### Constructional features of the motor

Induction motor, closed and cooled with liquid being pumped

Wear resistant shaft with triple lip seals to ensure a long life.

Built-in thermic overload protection

Capacitor permanently in circuit.

Motor protection: NEMA6P

Insulation class: F

Cable Length: 16ft

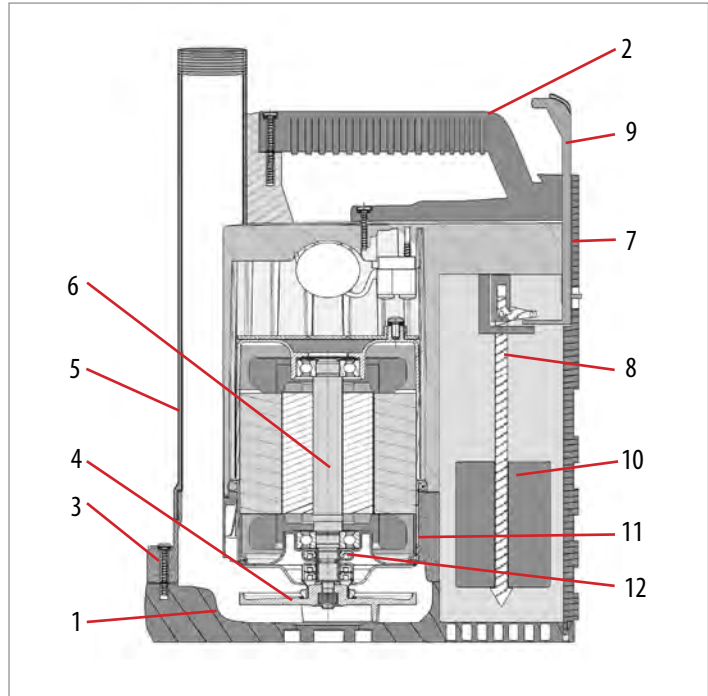
Standard voltage: 115v 60Hz

# TECHNICAL DATA

## MATERIALS

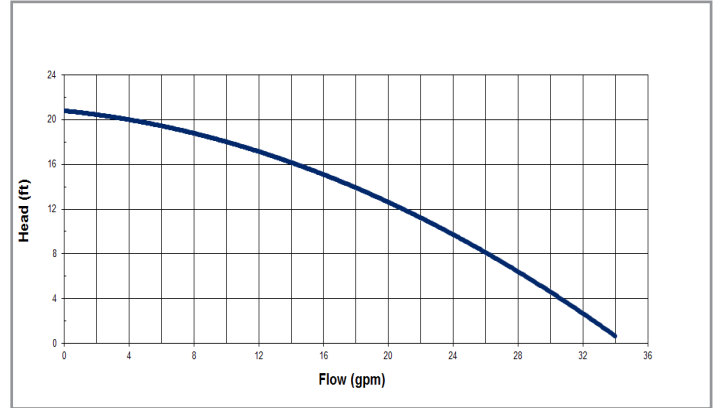
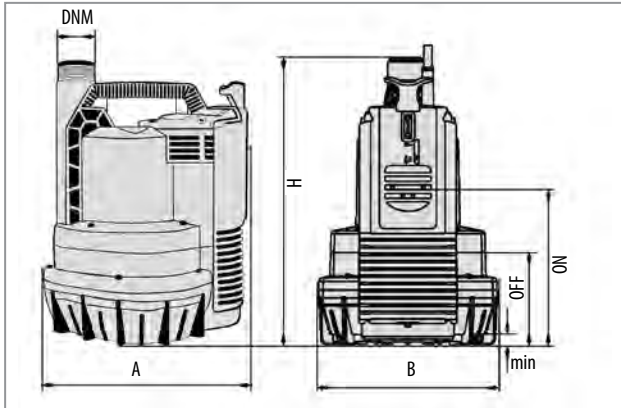
N°	PARTS*	MATERIALS
1	PUMP BASE	PP 30% GF
2	HANDLE	PP 20% TC
3	LOWER HOUSING	PP 15% GF NAT GRADE 6
4	IMPELLER	PP 20% GF
5	TOP BODY	PP 30% GF NAT GRADE 5
6	ROTOR SHAFT	AISI 416 STAINLESS STEEL
7	FLOAT COVER	ABS
8	FLOAT ROD	POM
9	MANUAL SWITCH	PP 15% GF
10	FLOAT	PP 15% GF
11	MOTOR COVER	DIE CAST ALUMINUM
12	TRIPLE LIP SEAL	NBR

\* In contact with liquid



Operating Range:	From 1 to 52 gpm with a head up to 30ft (13 psi)
Liquid quality requirements:	clean, free from solids or abrasive substances, non viscous, non aggressive, non crystallized, chemically neutral, close to the characteristics of water
Liquid temperature Range:	From 32°F to 95°F
Maximum solids	1/4"
Maximum ambient temp.	104°F
Maximum operating pressure	13 psi
Maximum submersion	16 ft
Installation:	fixed or portable in a vertical position
Special version on request	other voltages and/or frequencies

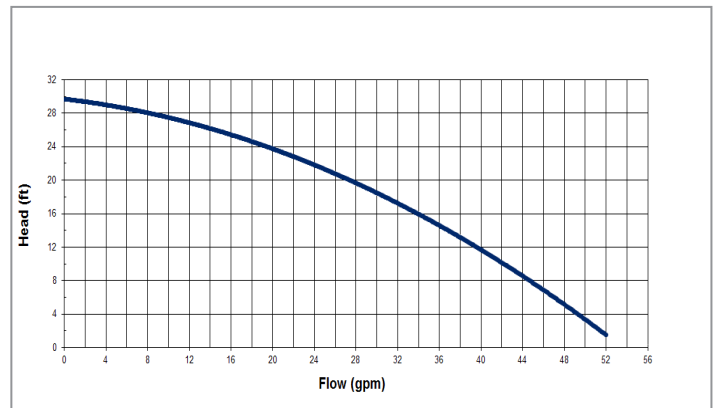
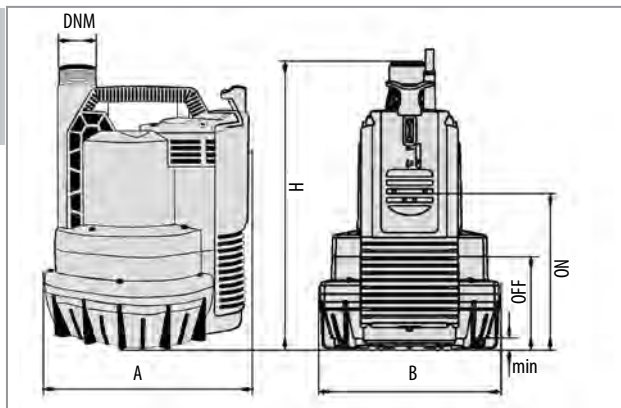
# VERTY GO 300



MODEL	A	B	H	ON	OFF	MIN	DNM	Weight
VERTY GO 300	8 <sup>3</sup> / <sub>4</sub> "	7 <sup>1</sup> / <sub>4</sub> "	11 <sup>1</sup> / <sub>4</sub> "	5"	3"	<sup>1</sup> / <sub>16</sub> "	1 <sup>1</sup> / <sub>4</sub> " NPT	11.0 lbs

MODEL	ELECTRICAL DATA			HYDRAULIC DATA			
	Voltage 60Hz	P1 Watt   Hp		In A	MAX Flow	Max Head	Max Pressure
VERTY GO 300	115v	300	1/3	3.4	34 gpm	21 ft	9 psi

# VERTY GO 600



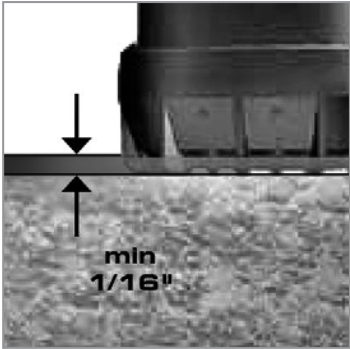
MODEL	A	B	H	ON	OFF	MIN	DNM	Weight
VERTY GO 600	8 <sup>3</sup> / <sub>4</sub> "	7 <sup>1</sup> / <sub>4</sub> "	11 <sup>1</sup> / <sub>4</sub> "	5"	3"	<sup>1</sup> / <sub>16</sub> "	1 <sup>1</sup> / <sub>4</sub> " NPT	14.2 lbs

MODEL	ELECTRICAL DATA			HYDRAULIC DATA			
	Voltage 60Hz	P1 Watt   Hp		In A	MAX Flow	Max Head	Max Pressure
VERTY GO 600	115v	600	1/2	6.8	52 gpm	30 ft	13 psi

# INSTALLATION DIAGRAM



Minimum suction depth



Minimum opening

