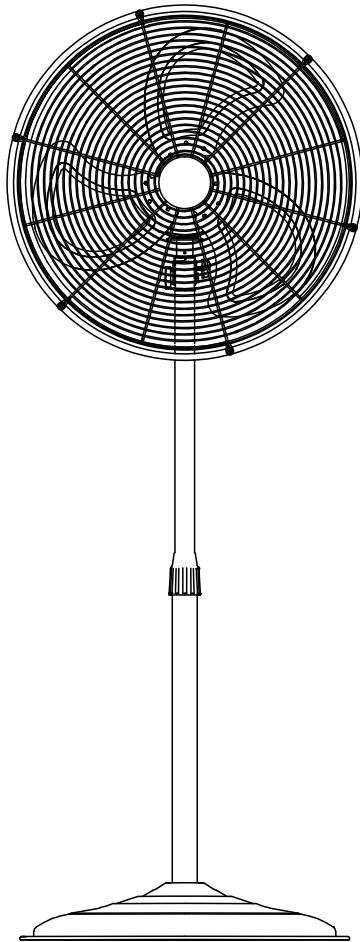


Hurricane[®] PRO

**HIGH VELOCITY
METAL STAND FAN 20"**

AMPS: 1.2 / WATTS: 140 / VOLT: 120



**READ AND SAVE
THESE INSTRUCTIONS**

HIGH VELOCITY

WARNING

When using electrical appliances, basic precautions should always be followed to avoid the risk of fire, electric shock and injury to persons.

1. Only use this fan as described in this manual, other non recommended use may cause fire, electric shock, or injury.
2. To protect against electrical shock, do not immerse unit plug or cord in water or spray with liquids.
3. Only plug the unit into a power outlet with the same voltage as shown on the fan nameplate.
4. Keep the fan out of the reach of children. This fan is not for use by children.
5. Do not leave the fan running unattended.
6. Never insert fingers, pencils or any other object through the guards when fan is running.
7. High velocity fans are designed to create rapid air movement, therefore, make sure the fan is not placed near drapes, curtains or any objects that may be drawn into the fan outlet.
8. Do not operate in the presence of explosive and/or flammable fumes.
9. Unplug the power cord when moving the unit from one location to another.
10. Unplug the fan from electrical outlet when opening the guard grilles for cleaning.
11. Do not immerse or expose the Motor Housing, Power Cord, or Plug to water or other liquids. Do not use the fan near a bathtub, a shower, a swimming pool, or anywhere water could splash.
12. Do not plug/unplug the fan into/from the electrical outlet with wet hand.
13. Never operate the fan without fan guard in place, as serious personal injury may result.
14. If the power cord is damaged, it must be replaced by the manufacturer or its service agent or a similarly qualified person in order to avoid a hazard.
15. Indoor use only, Do not use outdoor. Do not place the fan in or near window. Rain may create an electrical hazard.
16. To disconnect, grasp plug and pull from wall outlet. Never yank on cord.
17. **WARNING** To reduce the risk of fire or electric shock, DO NOT use this fan with any solid-state speed control devices.
18. This product uses overload protection (fuse). A blown fuse indicates an overload or short-circuit situation. If the fuse burns out, unplug the product from the outlet. Replace the fuse as per the user servicing instructions (follow product marking for proper fuse rating) and check the products. If the replacement fuse blows, a short-circuit may be present and the product should be discarded or returned to an authorized service facility for examination and/or repair.
19. Do not run cord under carpeting. Do not cover cord with throw rugs, runners, or similar coverings. Do not route cord under furniture or appliances. Arrange cord away from traffic area and where it will not be tripped over.

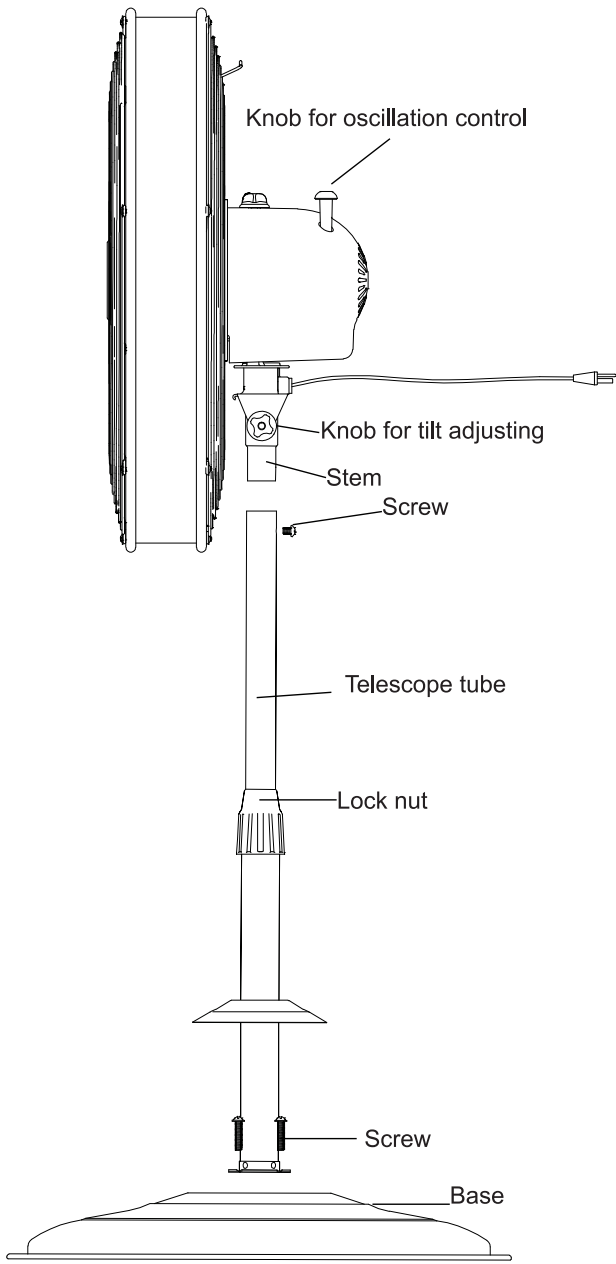


Fig.1

ASSEMBLY

Take the fan head, telescope tube and base assemblies out from the color box.

1. Put the telescope tube on the base top surface, align its four holes with those four holes on the base, use four M6 screws (provided) and tighten them firmly together (see Fig. 1).
2. Take the fan head and insert its stem into the telescope tube, turn the fan head to align the hole in its stem with the hole in the telescope tube, then tighten them together using a M5 screw (Fig.1).
3. Place the fan in upright position with logo plate facing front.
4. Plug the fan into a standard 120 Volt AC electrical outlet and the unit is ready for use.

OPERATION

This fan can be used alone or in conjunction with an air conditioner unit to help circulate cooled air or force it into other rooms. During summer days, the portable air circulator can be used as a hassock fan to pick up cool air near the floor and circulate it through the entire room.

1. To adjust fan speed, turn the speed control switch which is located at the motor housing to the desired position (Fig.2).
0 — Stop 1 — Low 2 — Medium 3 — High

OSCILLATION

To allow the fan to oscillate, push the knob down on the motor housing. Pull up the knob if oscillation is not desired (Fig.1).

FAN HEAD ADJUSTMENT

To adjust the tilt angle of the fan head, loosen the screw knob under the motor (Fig.1), then turn the fan head up or down to desired angle, and then re-tighten the screw knob to secure the fan at that angle.

HEIGHT ADJUSTMENT

To adjust the height of the fan, loosen the lock nut first, take the telescope tube up or down to desired height, then re-tighten the lock nut at that position (Fig.1).

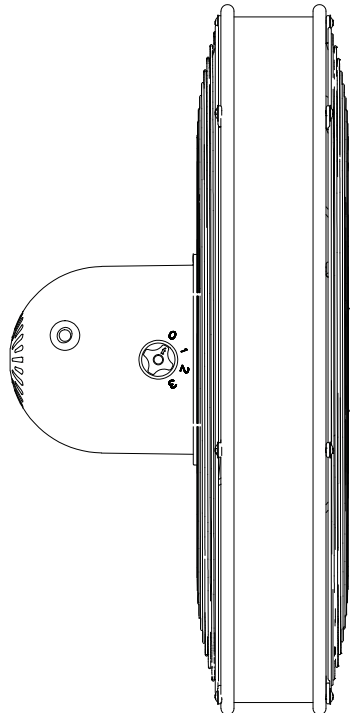


Fig.2

CLEANING / MAINTENANCE INSTRUCTIONS

Follow these instructions to correctly and safely care for your fan.

ATTENTION

1. Always unplug the fan before cleaning or disassembling.
2. Do not allow water to drip on or enter into fan housing.
3. Be sure to use a soft cloth moistened with a mild soap solution.
4. Do not use any of the following as a cleaner: Gasoline, thinner, or benzene.

FAN BLADE & FRONT GRILL CLEANING

1. Use a screwdriver to remove the screw at the front grill.
2. Remove the front grill.
3. Clean the fan blade, grill, with a soft damp cloth. **DO NOT ATTEMPT TO REMOVE THE FAN BLADE.** Please use caution around the motor housing area. Do not allow the motor or other electrical components to be exposed to water.
4. Replace front grill and secure with the screw removed in the first step.

REPLACEABLE FUSE

The plug is a safety feature, it contains a safety device (fuse), if your replaceable fuse (5 Amp, 125 Volt) blows, please follow below instructions to replace the fuse.

1. Unplug your fan, grasp plug and remove from the receptacle or other outlet device. Do not unplug by pulling on cord.
2. Slide open the fuse cover at the side of the plug by using your thumb or a flat screwdriver.
3. Remove the fuse carefully (Fig.3).
4. Put in a new 5 Amp 125 Volt fuse, make sure it is secured in place.
5. Slide back the fuse cover completely.
6. Risk of fire. Do not replace attached plug. Contains a safety device (fuse) that should not be removed. Discard product if the attached plug is damaged.

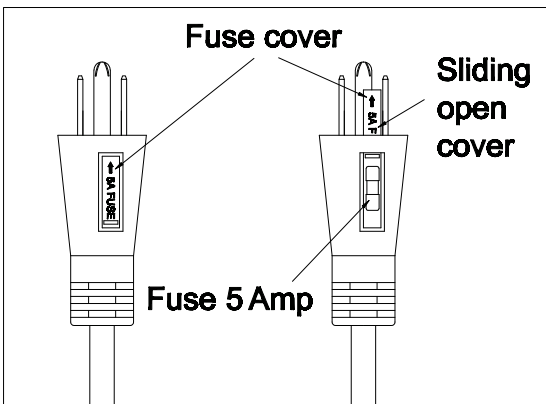
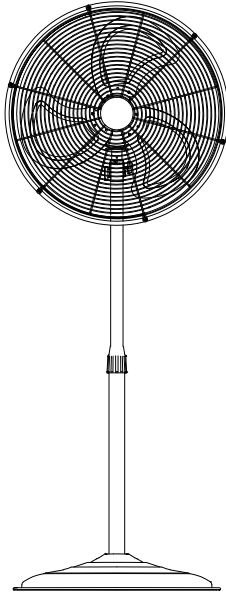


Fig.3



Hurricane[®] PRO
HIGH VELOCITY
METAL STAND FAN 20"
Part #736472

Use a "QR Code App" on
your smart phone to access
our website and browse our
entire product offering or go
to: www.hurricane-fans.com



Hurricane[®]
www.hurricane-fans.com



Exclusively distributed by:
National Garden Wholesale,
Sunlight Supply, Inc.
www.sunlightsupply.com

INNOVATING
SINCE
1995